

Schaumburg Township District Library

Furniture bid

Addendum #2

2/6/23

product architecture + design

NOTE: Bids are due at 11:00 am February 13, 2023. Bids will be opened at that time.

Bid Package #1 Open lines

On the spec sheets, it looks like the quantity of C36 has changed from 34 instead of 36. Then it looks like there are 18 going in Phase 2, and 18 going in phase 3. Where do you want the lesser amount be provided, Phase 2 or Phase 3? **Provide the lesser amount in Phase 3**

We were also looking at the item being shown in green on the specification sheets and saying it is to be included in "Base Bid" where green is supposed to be "Alternate Bid". This is the case for Items T2, C7, C22, T22, T28, T29? Can you please clarify? **All items in green are to be alternates. Revised in attached spec sheet.**

C39 Stylex Underline chair – Luum Haptic requires testing. I am assuming we should price as a COM or graded in if Stylex can provide and you will take care of the testing. **Price as COM**

T20 Niemkamper Rowen table cannot be done at 48" width, 54" is the minimum width that can be done to be able to support the quartz top. **Provide 54" wide table**

TR1 Open Area – Misc. Scandinavian Spaces Kite – Spec calls out 10 with colors being (2) Olive, (2) Forest Green and (4) Anthracite. What color should the other 2 be? **Revise to (5) Olive, (5) Forest Green**

TR1 Staff Area – Misc. Scandinavian Spaces Kite – Spec calls out 3 with colors being (2) Olive, (2) Forest Green and (4) Anthracite. Should it be one of each color? Also asks for half as waste and half as recycle, please advise quantity split. **Revise to (2) Olive, (1) Forest Green with 2 as recycle, 1 trash**

C6A & C6B / C13A & B chairs at the Patron Computers and Technology Area to have anthracite base

C7 in Open Areas, please advise your laminate selection. **Provide slate laminate**

Bid Package 2 Steelcase

C20: base to be Polished Aluminum

For the Steelcase T21 in the Local History area, what is the “tall storage end of counter below” mean? We have the end of counter covered, just not sure about the tall storage.

Provide table and extension highlighted below:

48\"W to 84\"W 96\"W

Understanding
▶ Page 214
Specifying
▶ Page 254

48\"W to 84\"W 96\"W

Understanding
▶ Page 214
Specifying
▶ Page 256

Dual-Sided Bases with Rail

	48\"W	60\"W	66\"W	72\"W	78\"W	84\"W	96\"W
24\"D	•	•	•	•	•	•	•
30\"D	•	•	•	•	•	•	•

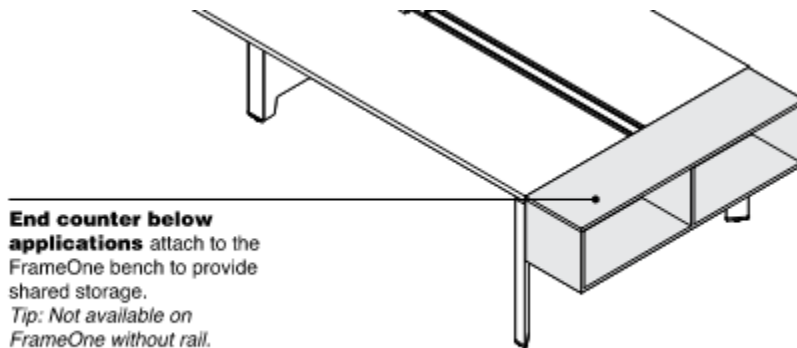
Tip: Depth dimension is for each side to centerline of 3\" integrated rail.

Dual-Sided Extensions with Rail

	48\"W	60\"W	66\"W	72\"W	78\"W	84\"W	96\"W
24\"D	•	•	•	•	•	•	•
30\"D	•	•	•	•	•	•	•

Tip: Depth dimension is for each side to centerline of 3\" integrated rail.

Provide end of counter storage flush with top at one end, as image below shows. This appears to be called “Tall Storage” in the spec guide, but the intent is shown below.



End counter below applications attach to the FrameOne bench to provide shared storage.
Tip: Not available on FrameOne without rail.